

Wall Mounting Air Handling Units, up to 330 W



✓ Steel sheet, varnished

✓ Chassis zinc-lpated

✓ Safety class IP 54

✓ FCKW free

Abstract

Wall Mounting Air Handling Units, up to 330 W

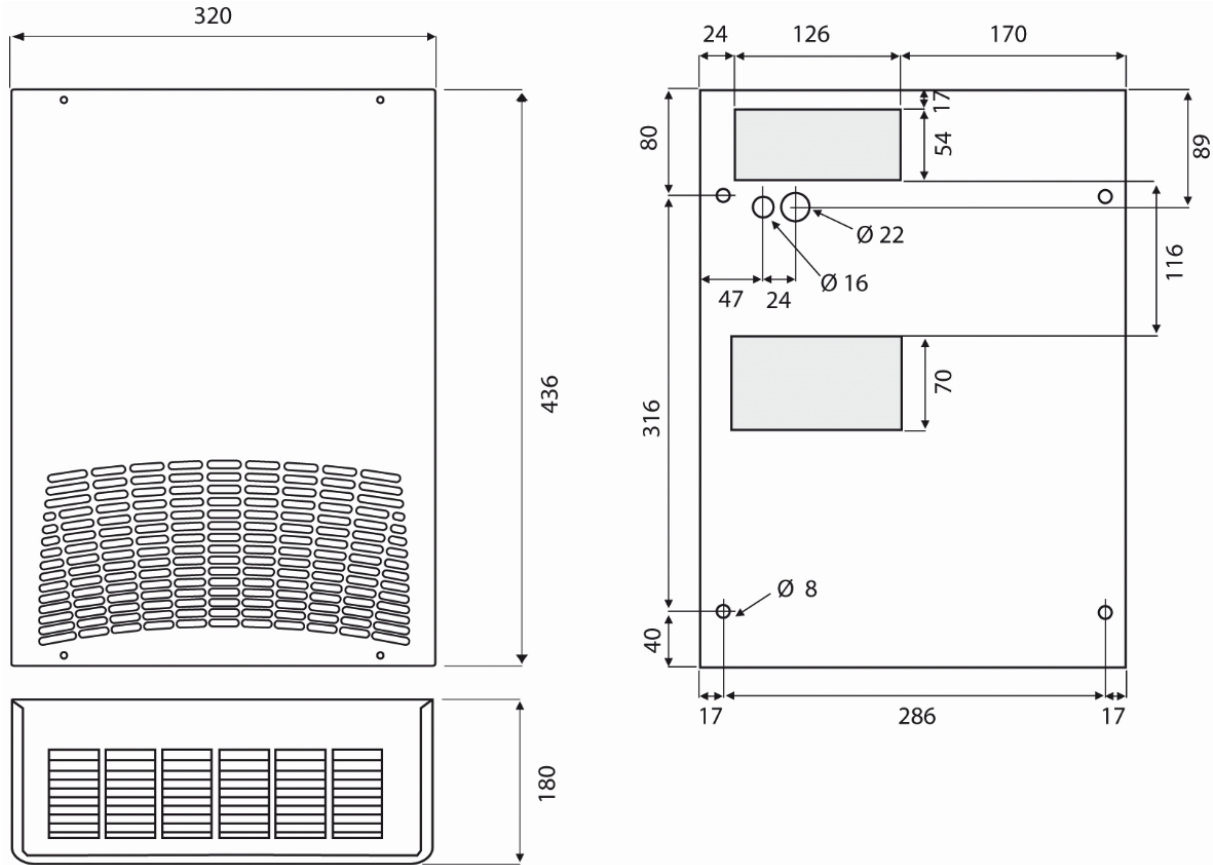
Features

- Dimensions: 436x320x180 mm
- Condenser homophobic coated (Lotus effect)
- Soil and liquid-repellent due to big gaps in lamellas
- Steel sheet powder varnished, chassis zinc-plated
- Ball bearing mounted fan
- Safety type IP 54
- Mechanical thermostat with 4K switching hysteresis
- Adjustable temperature range: +25 °C up to +45 °C (Preselection default: +35 °C)
- Allowed outer ambient temperature: +20 °C up to +55 °C
- Maintenance-free/filter less (Check filter usage on extreme outer ambient conditions)
- FCKW free (ecofriendly refrigerant R134 a)
- Condensate escape pipe at the bottom
- Connection: Lead, 3 m
- Delivery content: Drilling template, test report, seal and mounting screws
- Approvals: CE, CUL
- Standard color: Light grey (RAL 7035)
- Options: Other colors, Air deflector ACADEF 03

Product Overview

The Wall mounting air conditioners are available in up to 330 W, up to 850 W and up to 2000 W design. Due to big gaps in the lamellas they are soil and liquid-repellent. Furthermore the temperature range is adjustable from +25 °C up to +45 °C. All conditioners are maintenance-free and are therefore optimized for using to your individual needs. The wall mounting air conditioner are FCKW-free (ecofriendly refrigerant R134a) and confirm to the CE respectively CUL approval.

Technical Drawings



Technical Properties

Product Number	Cooling capability in W		Voltage V / ph / Hz	Power max. A	Starting current max. A	Performance W at L35/L50	Air volume (inside) m ³ /h	Noises db(A)	Weight in kg
	L35/L35	L35/L50							
DN-97321	330	270	230 / 1 / 50-60	41730,0	5.0	240	164.0	60	17.0

Product Number Information

DN-97321 Air Handling Unit, 330 W, 230 V-PH-50/60 Hz